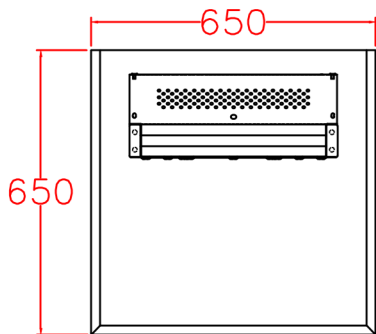
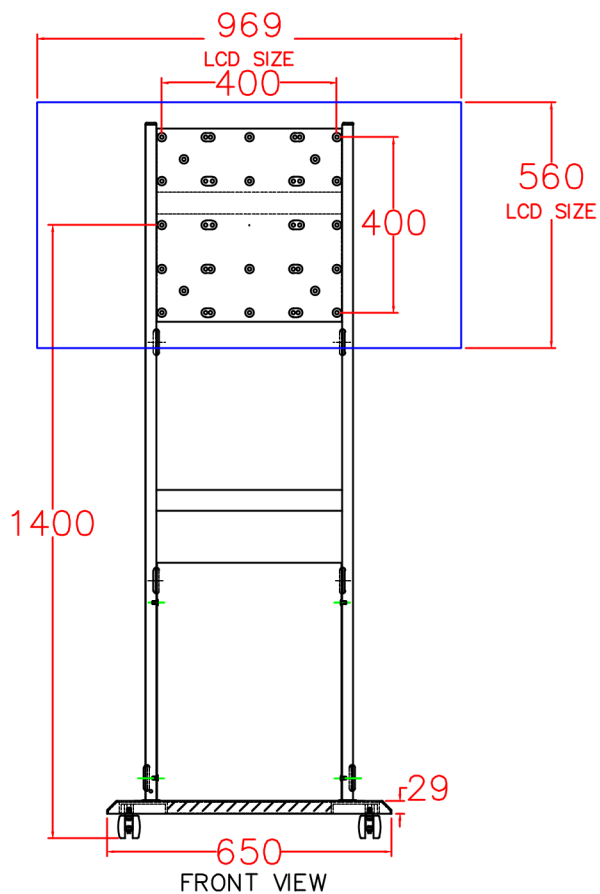
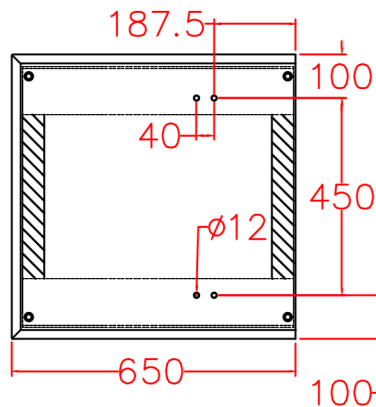


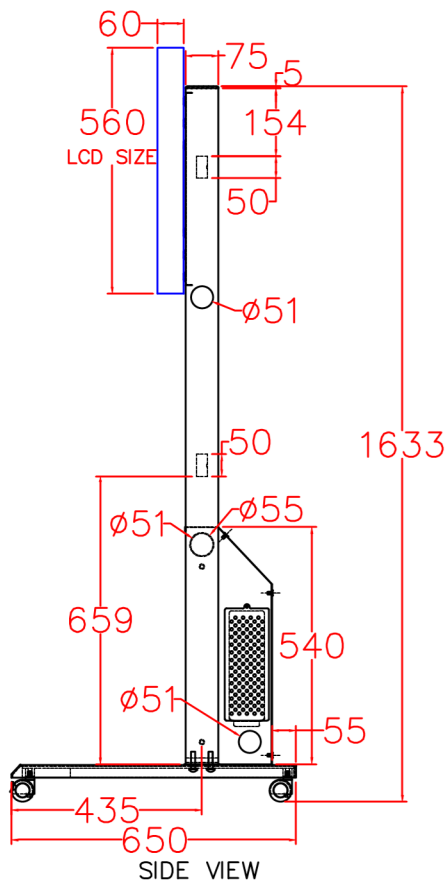
TOP VIEW



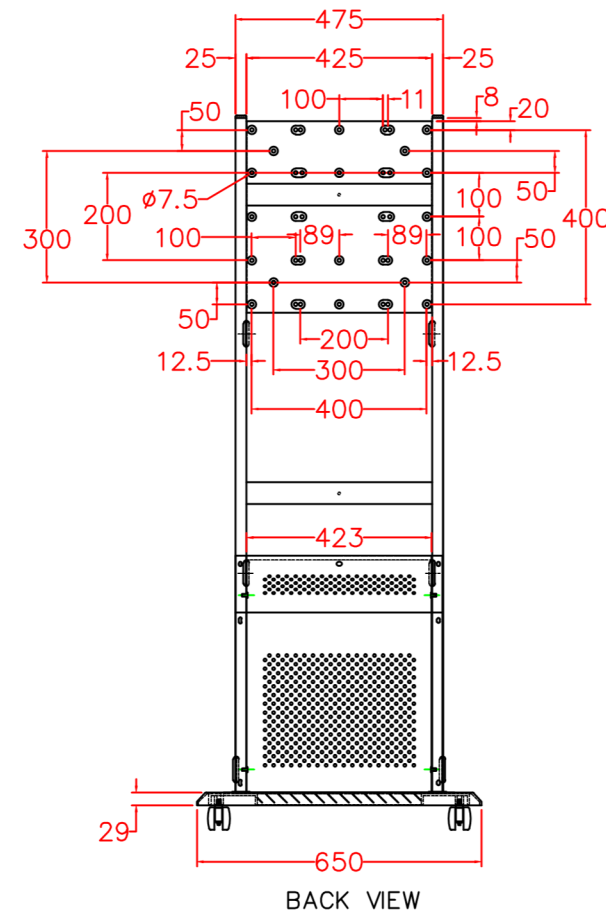
TOP VIEW



FRONT VIEW



SIDE VIEW



BACK VIEW

CUSTOMER	COMPUTERPORT INK	MATERIAL	METAL	CHECK BY	ALFREAD
MODEL	LCDS - 03 MAL			APPROVED BY	
SCALE	PARTS	PN-W435A (HORIZONTAL)	DRAWN BY	ERIC	DATE
					11-JUNE-2019